

RYK-H224/1



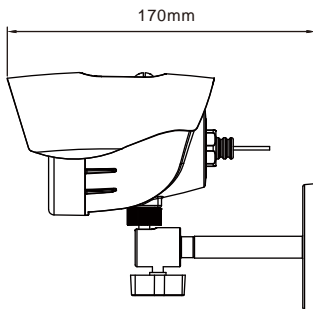
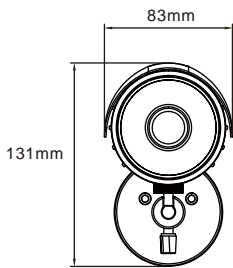
HD CCTV IR Camera (Board Lens)

FEATURES

- 1/2.8 3.0 Megapixel Progressive Scan CMOS
- Sony "Exmor" Technology Support Min. Illumination
- 1080P Full HD Resolution Support
- Real Time Video up to 30FPS
- HD-SDI Output
- 2D Noise Reduction
- Built-in Megapixel Board Lens
- Built-in 18/36 Pieces IR-LED (up to 20M / 30M)
- Dual Window Structure
- Concealed Cable Bracket
- Weatherproofing IP68



DIMENSIONS



SPECIFICATIONS

Model No.	RYK-H224L2/1	RYK-H224L3/1	
VIDEO	Image Device	1/2.8" Color Sony Exmor 3.0 Megapixel CMOS	
	Picture Elements	Approx. 3M (1920H x 1080V)	
	Resolution (Frame Rates)	1080_25P / 1080_30P	
	Illumination	0.1 Lux @F1.2 Color Mode	
	S/N Ratio	More than 50dB	
	Electronic Shutter	Auto: 1/50(60)~1/100,000	
	Gamma	0.45	
LENS	Lens Drive Type	Board Lens 4mm / F2.0	
	Aspect Ratio	16:9	
	Iris Control	Fixed	
DAY / NIGHT	IR-Cut filter Removable	Yes	
	Day & Night	External	
	Infrared Luminary	18 Pieces IR- LED	36 Pieces IR- LED
	Illumination Distance	20 M	30 M
	Wavelength	850 nm	
	Light Transistor	Yes	
FUNCTIONS	On-Screen-Display (OSD)	N/A	
	Language	N/A	
	Digital Noise Reduction (DNR)	On	
	White Balance	Auto	
	Gain Control	Auto	
GENERAL	Weatherproof	IP68	
	Video Output	HD-SDI (BNC)	
	Dimension (incl. BNC)	83x131x170mm	
	Power Supply	DC12V	
	Power Consumption	750mA	
	Operating Temp.	-10°C ~ 50°C (14°F to 122°F)	